

FEATURES:

- 3 x 6 MATRIX
- HIGH SPEED ABSORPTIVE SWITCHES
- MULTIPLE CROSSOVERS
- 6 dB NOISE FIGURE
- 20 nS RECOVERY TIME
- 70 dB ISOLATION



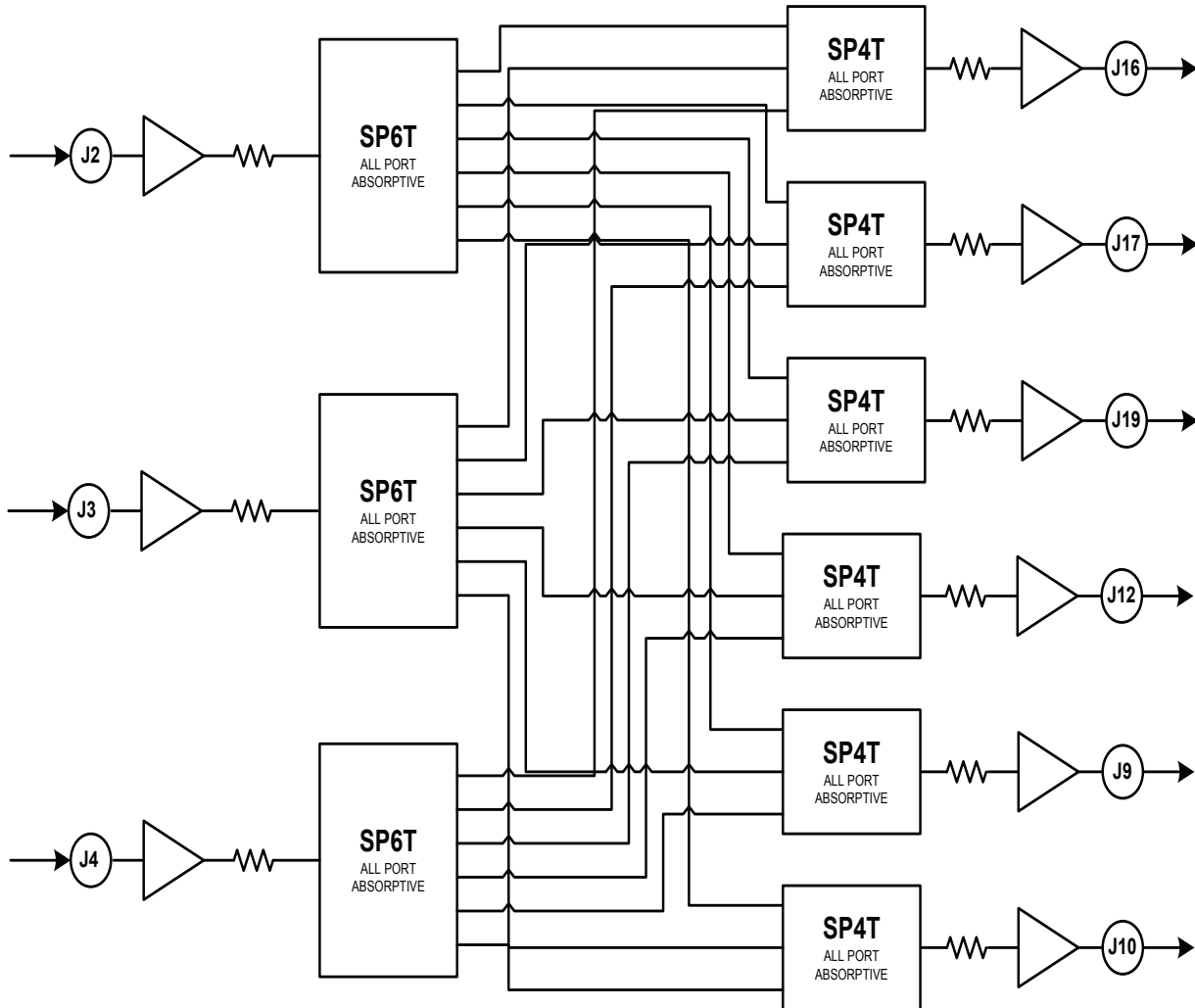
AKON is a leading manufacturer of RF/microwave components and subsystems for military, space and commercial applications. AKON's product line includes high reliability, custom integrated microwave assemblies, DFD receivers, microwave receiver front-ends, RF switching matrices, frequency synthesizers, custom LO assemblies, frequency converters, RF switches, digitally controlled attenuators, miniature RF filters and switches, and microwave amplifiers covering 2.0 - 18.0 GHz frequency range (up to 40.0 GHz for some applications). AKON is qualified to MIL-I-45208 Quality System Requirements by agencies of the U.S. Department of Defense and by leading foreign and domestic military OEMs. All specifications are valid over the full operating temperature unless otherwise indicated.

SPECIFICATIONS:

Model Number	A90-MX003
Frequency Range (GHz)	6.0 - 18.0
Power Handling (dBm)	-50 to +8 (min)
Small Signal Gain (dB)	9 to 11
Frequency Flatness (dB)	< 2
Noise Figure (dB)	6 (max)
Output Power (dBm) (for 1dB gain compression)	+16 to +14 (min)
Output Power (dBm)	20.0 (max)
Harmonics (dBc)	-20.0 (2nd Level) -30.0 (3rd Level)
Isolation (dB)	70 (min)
Recovery Time (nS)	20 (max)
VSWR	2.0:1 (max)
Impedance (ohms)	50
RF Input Power (dBm)	+23 (max) (for CW mode) +27 (max) (for pulse mode)
Switching Speed (nS) (50% TTL Control to 90% RF Output)	50 (max)
Power Supply (VDC)	+12.0 @ 1.2A +5.0 @ 1.0A -12.0 @ 0.75A

Note: All dimensions are specified in inches (mm)

BLOCK DIAGRAM:



OUTLINE DRAWING:

