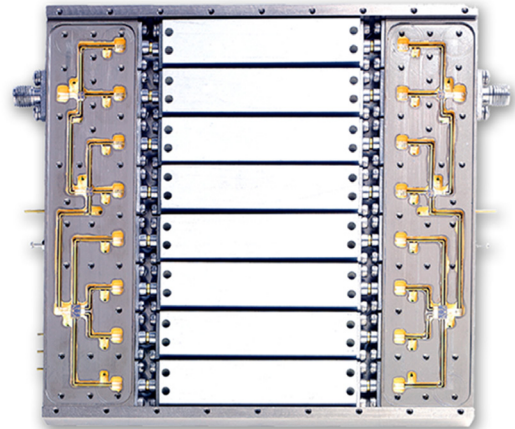


**FEATURES:**

- 8 CHANNELS
- MMIC SWITCH DESIGN
- SHARP FILTER REJECTION:  
60 dBc; 15% FROM BAND EDGES
- HIGH SWITCH ISOLATION: 62 dB



**AKON** is a leading manufacturer of RF/microwave components and subsystems for military, space and commercial applications. AKON's product line includes high reliability, custom integrated microwave assemblies, DFD receivers, microwave receiver front-ends, RF switching matrices, frequency synthesizers, custom LO assemblies, frequency converters, RF switches, digitally controlled attenuators, miniature RF filters and switches, and microwave amplifiers covering 0.5 - 18.0 GHz frequency range (up to 40.0 GHz for some applications). AKON is qualified to MIL-I-45208 Quality System Requirements by agencies of the U.S. Department of Defense and by leading foreign and domestic military OEMs. All specifications are valid over the full operating temperature unless otherwise indicated.

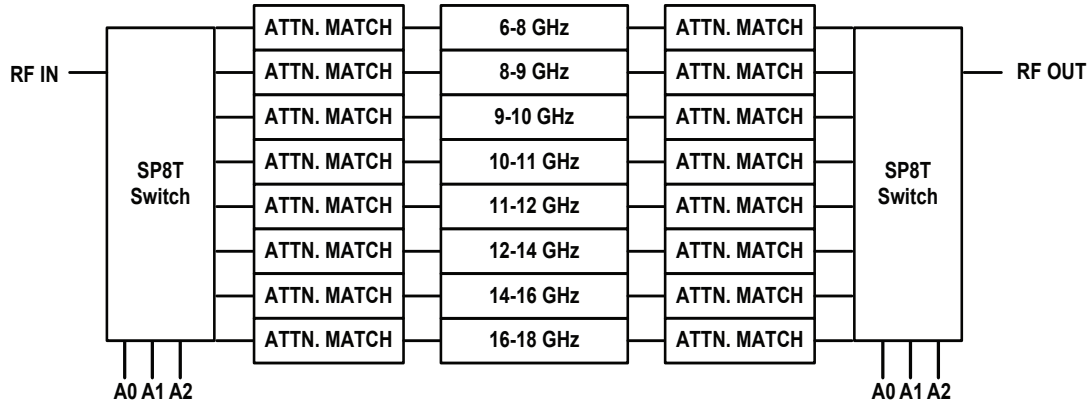
AKON's modular design approach to its switch filter banks results in multichannel configurations, from 2 to 36 and up, which feature low profile packaging, high channel to channel isolation. AKON can design a custom switch filter bank to meet the most demanding electrical, mechanical, and environmental specifications.

**SPECIFICATIONS:**

<b>Model Number</b>	<b>A20-MH126</b>
<b>Frequency Range (GHz)</b>	<b>6.0 - 18.0</b>
<b>Channels (GHz)</b>	6.0 - 8.0 8.0 - 9.0 9.0 - 10.0 10.0 - 11.0 11.0 - 12.0 12.0 - 14.0 14.0 - 16.0 16.0 - 18.0
<b>Isolation (dB)</b>	<b>60</b>
<b>Filter Rejection (dBc)</b>	<b>-60 (15% from band edges)</b>
<b>Insertion Loss (dB)</b>	8.0 (nom) 9.0 (max)
<b>Power Handling (dBm)</b>	<b>Up to +15</b>
<b>Switching Speed (nS)</b>	<b>100 (max)</b>
<b>Power Supply (VDC)</b>	<b>+/- 12 or +/- 15</b>
<b>Size</b>	<b>3.91" x 3.71 x 0.55"</b>
<b>Channel Selection Control</b>	<b>3 TTL Lines</b>

Note: All dimensions are specified in inches (mm)

### BLOCK DIAGRAM:



### OUTLINE DRAWING:

