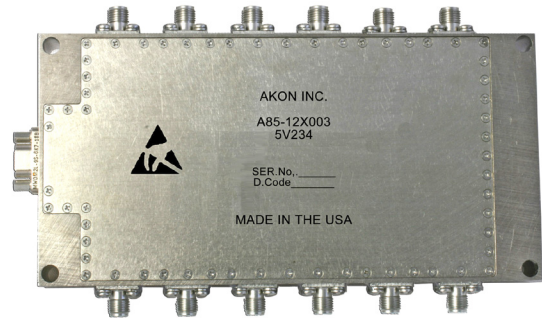


FEATURES:

- 4, 5 and 6 GHz FREQUENCY RANGES
- < 200 KHz FREQUENCY ACCURACY
- -9 dBm MIN OUTPUT POWER LEVEL
- 2 Bit TTL CONTROL
- -30 dBc MAX SPURIOUS LEVELS



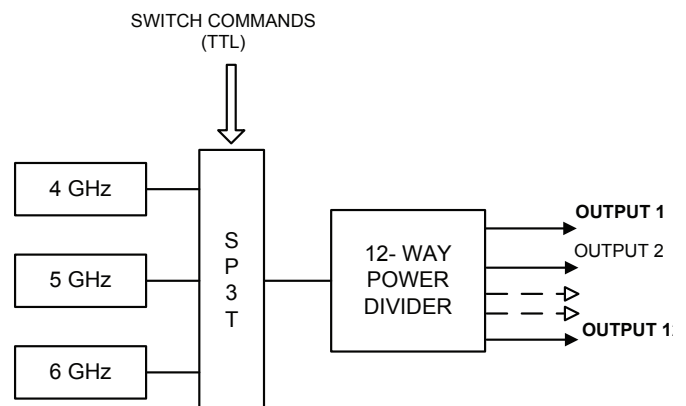
AKON is a leading manufacturer of RF/microwave components and subsystems for military, space and commercial applications. AKON's product line includes high reliability, custom integrated microwave assemblies, DFD receivers, microwave receiver front-ends, RF switching matrices, frequency synthesizers, custom LO assemblies, frequency converters, RF switches, digitally controlled attenuators, miniature RF filters and switches, and microwave amplifiers covering 0.5 - 18.0 GHz frequency range (up to 40 GHz for some applications). AKON is qualified to MIL-I-45208 Quality System Requirements by agencies of the U.S. Department of Defense and by leading foreign and domestic military OEMs. All specifications are valid over the full operating temperature unless otherwise indicated.

SPECIFICATIONS:

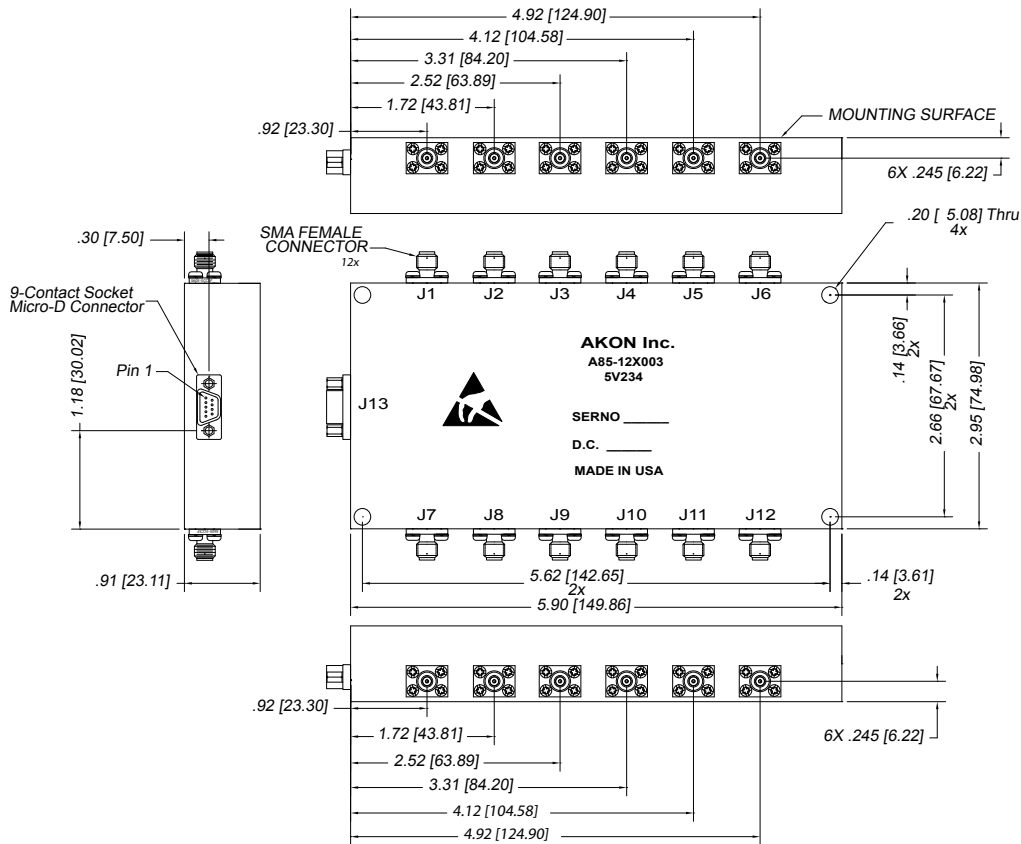
Model Number	A85-12X003
LO Phase Noise (dBc/Hz)	-55@ 1 KHz away from Fc (min)
LO 1 Frequency (GHz)	4
LO 2 Frequency (GHz)	5
LO 3 Frequency (GHz)	6
Switching Time (uS)	< 1
Output Power Level (dBm)	-9 (min) at each LO output
Frequency Accuracy (KHz)	< 200
# LO Output Ports	12
LO Radiation (dBc)	-90 (max)
Power Supply (V)	+/- 8.5
Frequency Selection	2 bit TTL
Spurious levels (dBc)	-30 (max)

Note: All dimensions are specified in inches (mm)

BLOCK DIAGRAM:



OUTLINE DRAWING:



9-PIN MICRO-D CONNECTOR	
PIN NO.	DESCRIPTION
1	+8.5V
2	+8.5V RTN
3	-8.5V
4	-8.5V RTN
5	SPARE
6	LOGIC BIT A1
7	LOGIC BIT A0
8	LOGIC BIT RTN
9	SPARE

J1-J12	LO Output
J13	POWER SUPPLY and CONTROL