

**FEATURES:**

- **FREQUENCY RANGE: 7.0 – 18.0 GHZ**
- **AMPLITUDE MATCHING: < 0.4 DB**
- **PHASE MATCHING: < 7°**
- **TTL CONTROL: 1 BIT**
- **INTERNAL OSCILLATOR: 1.0 GHZ**

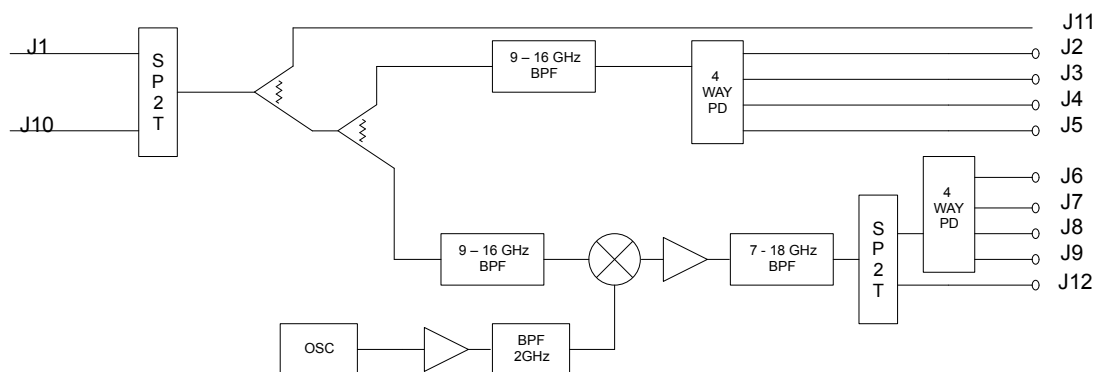
**AKON** is a leading manufacturer of RF/ microwave components and subsystems for military, space and commercial applications. AKON's line of products includes high reliability custom integrated microwave assemblies, DIFM receivers, microwave receiver front-ends, RF switching matrices, frequency synthesizers, custom LO Assemblies, frequency converters, RF Switches, RF attenuators and microwave amplifiers covering 2 - 18 GHz frequency range (up to 26.5 GHz for some applications). AKON is qualified to MIL-I-45208 Quality System Requirements by agencies of the US Department of Defense as well as several governmental space agencies. Screening to requirements of MIL-STD-883 are available at additional cost. All specifications described below are over the full operating temperature.

**SPECIFICATIONS:**

Model Number	A20-MX173
J1/ J10 (GHz) RF/BITE IN (dBm)	9 - 16 (+10 (min))
J11 (GHz) RF Monitor (dBm)	9 - 16 (+6 (nom))
J12 (GHz) BITE Monitor (dBm)	7 - 18 (-6 (nom))
J2, J3, J4, J5 (GHz) LO (GHz)	9 to 16
Amplitude Matching (dB)	0.4
Phase Match (°)	7 (nom)
J6, J7, J8, J9 (GHz) BITE (dBm)	7 -18 (-13 (nom))
SP2T Control (dB)	60 (min)
TTL control (bits)	1
Internal Oscillator (GHz)	@ 1.0
Power(VDC)	+8 @ 350 mA -8 @ 100 mA; 3.6 Watts

Note: All dimensions are specified in inches (mm)

**BLOCK DIAGRAM:**



## OUTLINE DRAWING:

