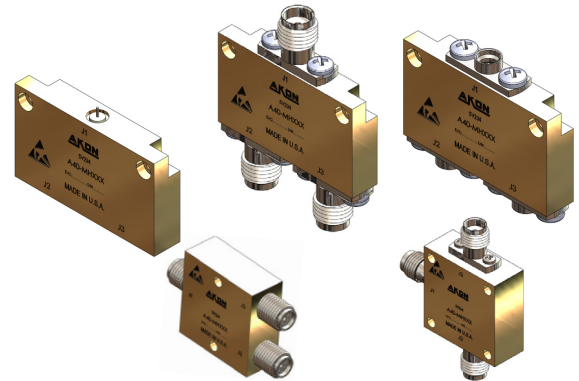


KEY PERFORMANCE FEATURES

- Low Insertion Loss
- High Isolation between Output Ports
- Excellent Amplitude and Phase Balance
- Wide Band Frequency Coverage
- Compact and Ruggedized Packaging
- Package Options: Drop-In, SMA/2.9mm & SMP



PRODUCT DESCRIPTION

AKON's product line of RF & Microwave Power Dividers/Power Combiners operate over a frequency range of 2 - 40 GHz. AKON's Wilkinson microwave power dividers are made on thin film substrates with deposited terminations that provides excellent VSWR performance on all ports. This design construction offers superior amplitude and Phase Balance between output ports.

AKON products are designed to withstand the demanding environments of Military, Space and Industrial applications. Our compact and ruggedized products are designed to handle stringent mechanical shock/vibrations, temperature cycling, altitude and temperature extremes.

Reliability is a key feature of AKON products and to ensure this we perform ESS testing on all of our problems. AKON offers an off-the-shelf screening option called it's "H" series, per Mil-STD-883 level B that is available on all of its RF & Microwave Components. **For custom electrical, mechanical, and screening options, please contact AKON Sales: sales@akoninc.com (or) 408-432-8039.**

SPECIFICATIONS:

| Model Number | Frequency Range (GHz) | Insertion Loss (dB) | Frequency Flatness (dB) | Output Isolation P to P (dB) | VSWR (max) | Balance | | Max Input Power* (dBm) | Pkg. | EAR99/ITAR |
|--------------|-----------------------|---------------------|-------------------------|------------------------------|------------|----------------|-----------|------------------------|----------|------------|
| | | | | | | Amplitude (dB) | Phase (°) | | | |
| PCS-2060 | 2 - 6 | 1 | +/- 0.3 | 15 | 1.8:1 | +/- 0.2 | +/- 4 | +30 | SMA | EAR99 |
| A40-MH002 | 2 - 6 | 1 | +/- 0.3 | 15 | 1.8:1 | +/- 0.2 | +/- 4 | +30 | Drop-In | EAR99 |
| A40-MH003 | 2 - 6 | 1 | +/- 0.3 | 15 | 1.8:1 | +/- 0.2 | +/- 4 | +30 | SMA | EAR99 |
| A40-MH004 | 2 - 6 | 1 | +/- 0.3 | 15 | 1.8:1 | +/- 0.2 | +/- 4 | +30 | SMP | EAR99 |
| PCS-6018 | 6 - 18 | 1.2 | +/- 0.5 | 15 | 1.8:1 | +/- 0.3 | +/- 7 | +30 | SMA | EAR99 |
| A40-MH005 | 6 - 18 | 1.2 | +/- 0.5 | 15 | 1.8:1 | +/- 0.3 | +/- 7 | +30 | Drop-In | EAR99 |
| A40-MH006 | 6 - 18 | 1.2 | +/- 0.5 | 15 | 1.8:1 | +/- 0.3 | +/- 7 | +30 | SMA | EAR99 |
| A40-MH007 | 6 - 18 | 1.2 | +/- 0.5 | 15 | 1.8:1 | +/- 0.3 | +/- 7 | +30 | SMP | EAR99 |
| PCS-2018 | 2 - 18 | 1.8 | +/- 1 | 15 | 2:1 | +/- 0.4 | +/- 10 | +30 | SMA | EAR99 |
| A40-MH008 | 2 - 18 | 1.8 | +/- 1 | 15 | 2:1 | +/- 0.4 | +/- 10 | +30 | Drop-In | EAR99 |
| A40-MH009 | 2 - 18 | 1.8 | +/- 1 | 15 | 2:1 | +/- 0.4 | +/- 10 | +30 | SMA | EAR99 |
| A40-MH010 | 2 - 18 | 1.8 | +/- 1 | 15 | 2:1 | +/- 0.4 | +/- 10 | +30 | SMP | EAR99 |
| A40-MH011 | 18 - 26 | 1.8 | +/- 1 | 14 | 2.2:1 | +/- 0.8 | +/- 10 | +30 | 2.92mm-F | EAR99 |

AKON, Inc. and it's affiliates reserve the right to make changes to the product(s) or information contained herein without notice.

All products are measured in 50-ohm system, over a temperature Range of -54° to +85° C.

* Max power @ 2.0:1 MAX VSWR +25° C.

Note: All dimensions are specified in inches (mm)

SPECIFICATIONS (CON'T):

| Model Number | Frequency Range (GHz) | Insertion Loss (dB) | Frequency Flatness (dB) | Output Isolation P to P (dB) | VSWR (max) | Balance | | Max Input Power* (dBm) | Pkg. | EAR99/ITAR |
|--------------|-----------------------|---------------------|-------------------------|------------------------------|------------|----------------|-----------|------------------------|----------|------------|
| | | | | | | Amplitude (dB) | Phase (°) | | | |
| A40-MH012 | 18 - 26 | 1.8 | +/- 1 | 14 | 2.2:1 | +/- 0.8 | +/- 10 | +30 | 2.92mm-S | EAR99 |
| A40-MH013 | 26 - 40 | 2.2 | +/- 1 | 14 | 2.2:1 | +/- 0.8 | +/- 10 | +30 | 2.92mm-F | EAR99 |
| A40-MH014 | 26 - 40 | 2.2 | +/- 1 | 14 | 2.2:1 | +/- 0.8 | +/- 10 | +30 | 2.92mm-S | EAR99 |
| A40-MH015 | 18 - 40 | 2.2 | +/- 1 | 14 | 2.2:1 | +/- 0.8 | +/- 10 | +30 | 2.92mm-F | EAR99 |
| A40-MH016 | 18 - 40 | 2.2 | +/- 1 | 14 | 2.2:1 | +/- 0.8 | +/- 10 | +30 | 2.92mm-S | EAR99 |

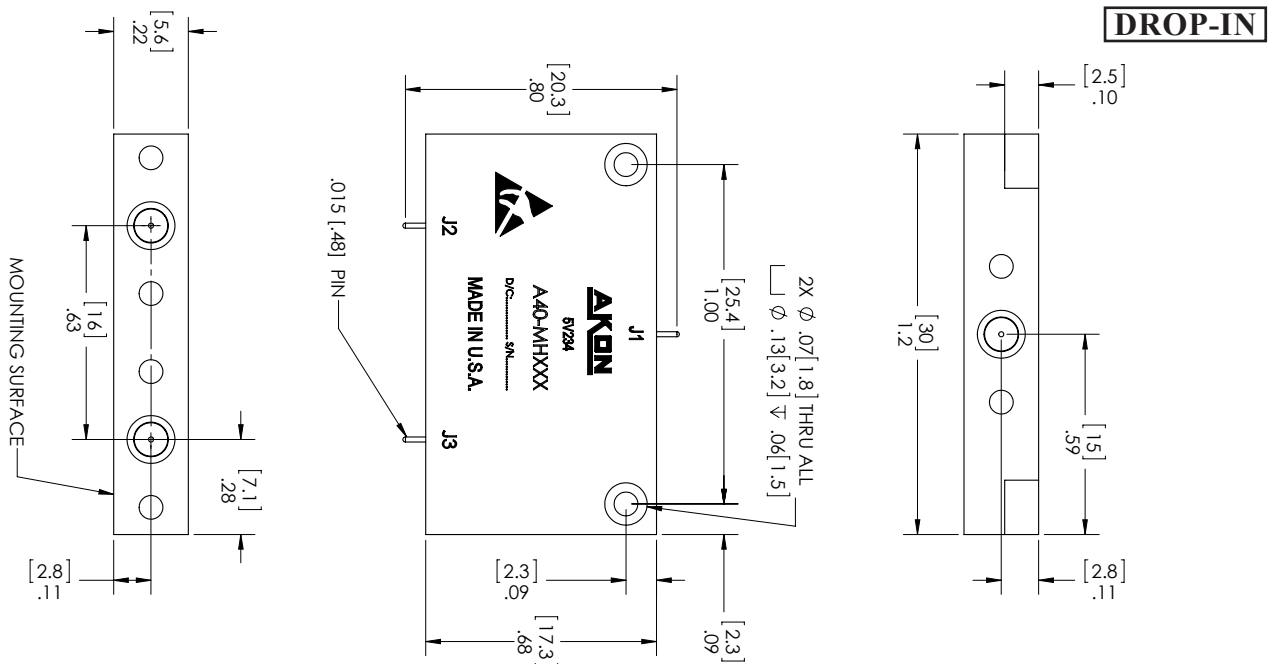
AKON, Inc. and its affiliates reserve the right to make changes to the product(s) or information contained herein without notice.

All products are measured in 50-ohm system, over a temperature Range of -54° to +85° C.

* Max power @ 2.0:1 MAX VSWR +25° C.

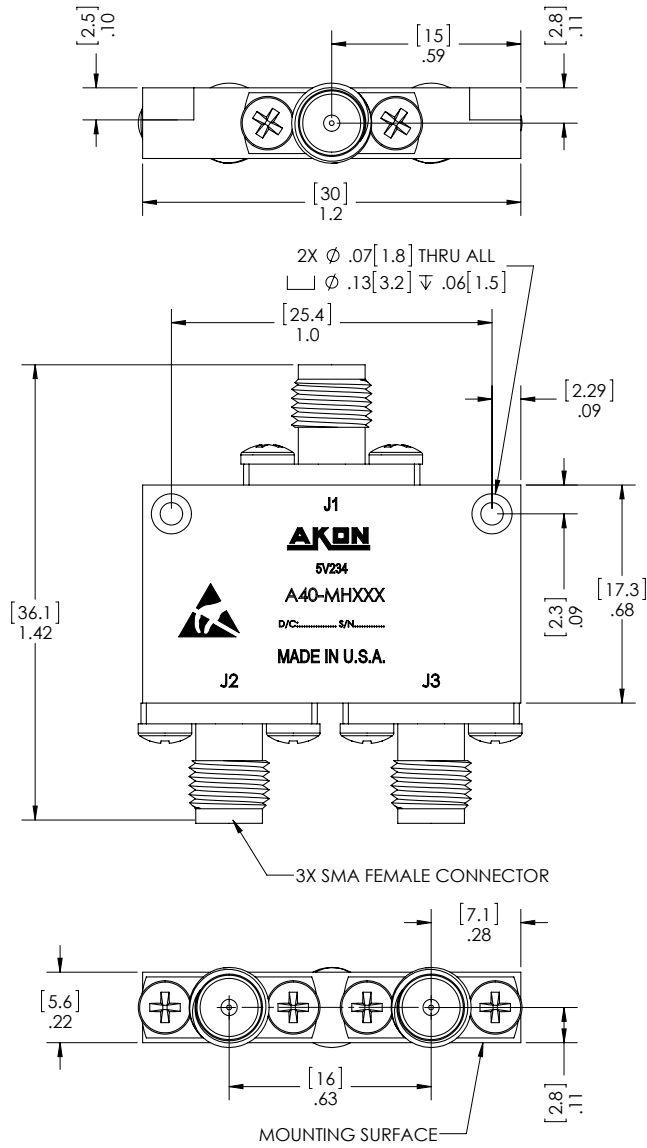
Note: All dimensions are specified in inches (mm)

OUTLINE DRAWING

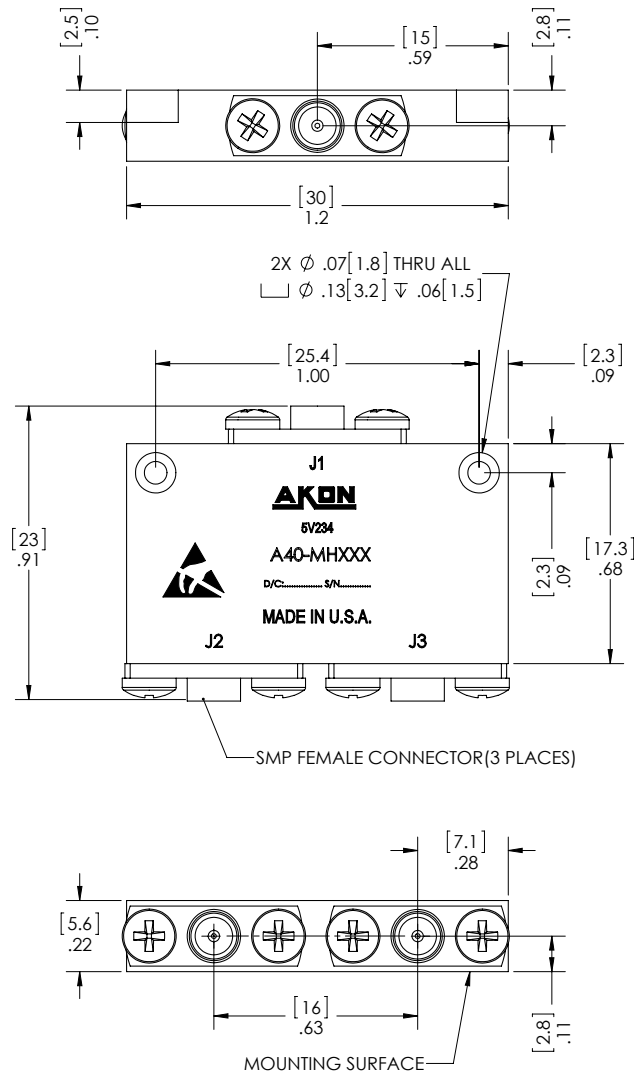


OUTLINE DRAWING

SMA



OUTLINE DRAWING



SMP

OUTLINE DRAWING

