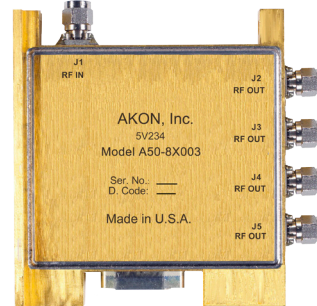


FEATURES:

- 8.0 - 8.4 GHz FREQUENCY RANGE
- HIGH RELIABILITY
- 20 dB POWER GAIN
- EXCELLENT GAIN FLATNESS
- LOW INSERTION LOSS
- 4 DEGREES PHASE ACCURACY
- SIZE: 3.0" x 2.5" x 0.79"



AKON is a leading manufacturer of RF/microwave components and subsystems for military, space and commercial applications.

AKON's product line includes high reliability, custom integrated microwave assemblies, DFD receivers, microwave receiver front-ends, RF switching matrices, frequency synthesizers, custom LO assemblies, frequency converters, RF switches, digitally controlled attenuators, phase shifters, miniature RF filters and switches, and microwave amplifiers covering the 0.5 - 18.0 GHz frequency range (up to 40.0 GHz for some applications). AKON is qualified to MIL-I-45208 Quality System Requirements by agencies of the U.S. Department of Defense and by leading foreign and domestic military OEMs. All specifications are valid over the full operating temperature unless otherwise indicated.

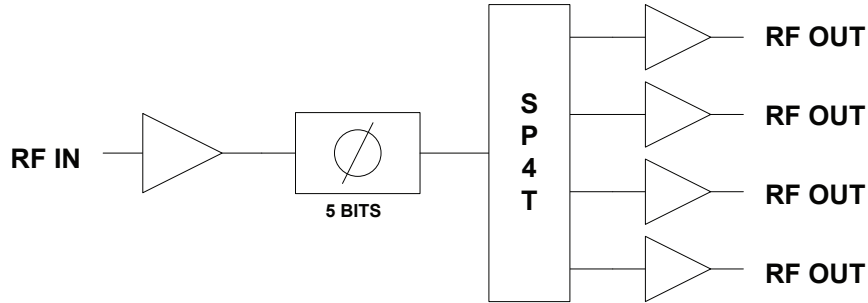
AKON's X-Band Band Phase Shifter, Model Number A50-8X003 can be offered as a total hermetic unit. The design approach used in this unit is field proven and uses a series of amplifiers, a 5 bit phase shifter, a four throw switch (SP4T) and four medium power amplifiers.

SPECIFICATIONS:

Model Number	A50-8X003
Frequency Range (GHz)	8.0 - 8.4
Output Power (dBm)	+20 @ 1 dB compression for all conditions
Power Gain (dB)	20 (typical)
Gain Flatness (dB)	+/- 0.5
Gain Variation (dB)	+/- 0.5 (max)(over frequency/operating temp)
IM product level (dB)	20 down (min) (@ 1 dB compression)
VSWR	1.5:1 (typical)
Phase Shift Range (°)	360
Phase Shift Control (bits)	5
Phase Linearity	Linear over 8.0 to 8.4 GHz
Phase Accuracy (° RMS)	4
Harmonics(dBc)	-20 (typical)
Spurious (dBc)	-50
Power Supply (VDC)	+6.5 @ 660 mA -6.5 @ 75 mA
Package	Hermetic
Temperature Range (°C)	-15 to +60
Size (Inches)	3.0" x 2.5" x 0.79"

Note: All dimensions are specified in inches (mm)

BLOCK DIAGRAM:



OUTLINE DRAWING:

