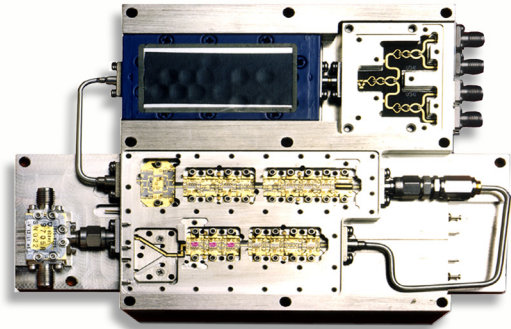


**FEATURES:**

- MULTI-OCTAVE FREQUENCY COVERAGE
- 90 dB TEMPERATURE COMPENSATED AND
- PHASE MATCHED GAIN FOR LIMITED RF OUTPUT
- BUILT-IN LIMITER AND BITE SWITCH
- +/- 15° PHASE MATCH AT 18 GHz



AKON's line of products includes high reliability custom integrated microwave assemblies, DFD receivers, microwave receiver front-ends, RF switching matrices, frequency synthesizers, custom LO assemblies, frequency converters, RF switches, RF attenuators and microwave amplifiers covering 0.5 - 18.0 GHz frequency range (up to 26.5 GHz for some applications). AKON is qualified to MIL-I-45208 Quality System Requirements by agencies of the U.S. Department of Defense as well as various leading foreign and domestic military OEMs . All specifications are valid over the full operating temperature unless otherwise indicated.

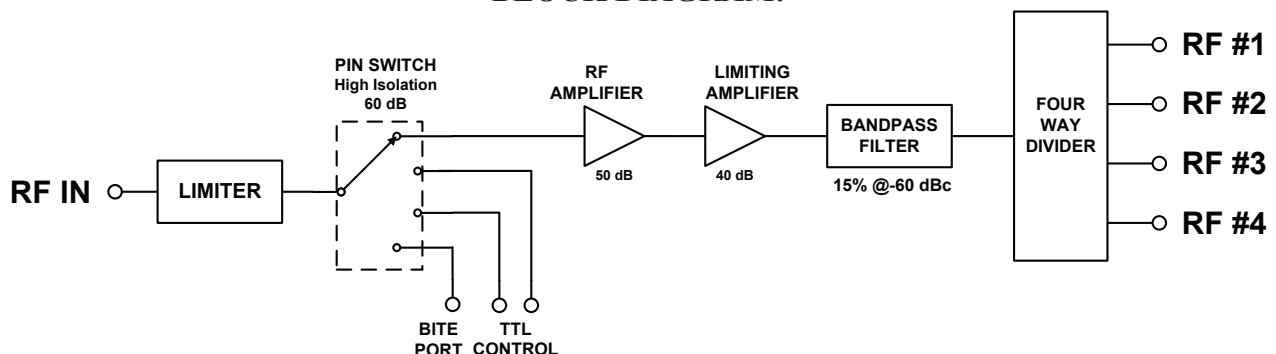
This subsystem consists of a limiter, SP2T BITE switch, 90 to 95 dB phase matched receiver, highly flat RF amplifiers feeding a band Pass filter, and a four-way divider. In sum, the output feeds to the interferometer DF receiver processor. The unit results in a minimum +10 dBm output over -60 dBm to 0 dBm input while maintaining a phase match of +/- 15 degrees at 18.0 GHz and +/- 10 degrees at 8 GHz. This receiver covers 2.0 - 8.0 and 8.0 - 18.0 GHz, but units can be designed over 2.0 - 18.0 GHz bandwidth similar performance. Please contact us directly to discuss specific applications to define a unit exactly tailored to your needs.

**SPECIFICATIONS:**

Model Number	A20-MH025	A20-MH026
Frequency Range (GHz)	2.0 - 8.0	8.0 - 18.0
Dynamic Range (dBm)	-65 to 0	-64 to 0
Noise Figure (dB)	9	10
Gain (dB)	90 (min), 95 (typ)	90 (min), 95 (typ)
Frequency Flatness (dB)	+/- 3.0	+/- 3.0
Phase Matched Flatness (°C)	+/- 12	+/- 15
Output Port/Port (°C)	+/- 5	+/- 6

Note: All dimensions are specified in inches (mm)

**BLOCK DIAGRAM:**



### OUTLINE DRAWINGS:

