

KEY PERFORMANCE FEATURES

- Limited RF Output
- Flat Frequency Response
- Excellent Log Linearity
- Excellent Temperature Performance
- DC Coupled
- EAR 99 Export Classification



PRODUCT DESCRIPTION

AKON Introduces a complete line of 70 dB dynamic logging range SDLVAs with limited output. This line of microwave high speed SDLVAs utilizes thin-film microelectronics hybrid technology, making it well suited for harsh environments.

AKON products are designed to withstand the demanding environments of Military, Space and Industrial applications. Our compact and ruggedized products are designed to handle stringent mechanical shock/vibrations, temperature cycling, altitude and temperature extremes.

Reliability is a key feature of AKON products and to ensure this we perform ESS testing on all of our products. AKON offers an off-the-shelf screening option called its "H" series, per Mil-STD-883 level B that is available on all of its RF & Microwave Components. **For custom electrical, mechanical, and screening options, please contact AKON Sales: sales@akoninc.com (or) 408-432-8039.**

SPECIFICATIONS:

Parameter	A15-MH139	A15-MH137	A15-MH138	A15-MH155-1
Frequency Range (GHz)	2 - 6	6 - 18	0.5 - 2	2 - 18
T.S.S. (dBm)	-73	-73	-73	-73
Logging Range (dBm)	-70 to 0	-70 to 0	-70 to 0	-70 to 0
Limited Output (dB)	+13 +/- 2 dB	+15 +/- 3 dB	+13 +/- 2 dB	+13 +/- 3 dB
Frequency Flatness (dB)	+/- 1.5	+/- 2.0	+/- 1.5	+/- 3.0
VSWR	2.0:1	2.0:1	2.0:1	2.0:1
Log Linearity (dB)	+/- 1.0	+/- 1.0	+/- 1.0	+/- 1.0
Log Accuracy (dB) (over temperature at a given frequency)	+/- 2.5	+/- 3.0	+/- 2.5	+/- 3.0
Log Slope (mV/dB) For Linearity Measurement	25	25	25	25
Rise Time (nS)	10	10	10	10
Recovery Time (nS) (90% to +/- 1.0 dB of Baseline)	60	60	60	60
Propagation Delay (nS) (50% RF to 10% Video)	10	10	10	10
Power Supply Current (mA)				
+12 (VDC)	650	750	650	750
-12 (VDC)	150	150	150	150

AKON, Inc. and its affiliates reserve the right to make changes to the product(s) or information contained herein without notice. All products are measured in 50-ohm system, over a temperature Range of -20° to +85° C.

Note: All dimensions are specified in inches (mm)

SPECIFICATIONS (CON'T):

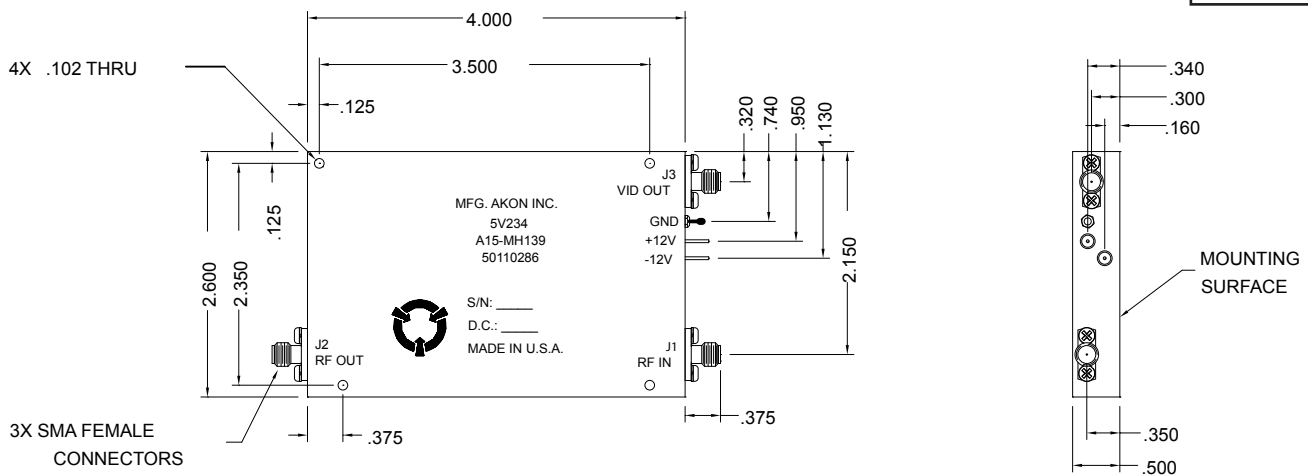
Parameter	A15-MH139	A15-MH137	A15-MH138	A15-MH155-1
Coupling	DC	DC	DC	DC
Video Load (ohms)	93 +/-1	93 +/-1	93 +/-1	93 +/-1
Size	Figure 1	Figure 2	Figure 3	Figure 2
Operating Temperature (°C)	-20 to +85	-20 to +85	-20 to +85	-20 to +85

AKON, Inc. and its affiliates reserve the right to make changes to the product(s) or information contained herein without notice. All products are measured in 50-ohm system, over a temperature Range of -20° to +85° C.

Note: All dimensions are specified in inches (mm)

OUTLINE DRAWING

FIGURE 1



OUTLINE DRAWING

FIGURE 2

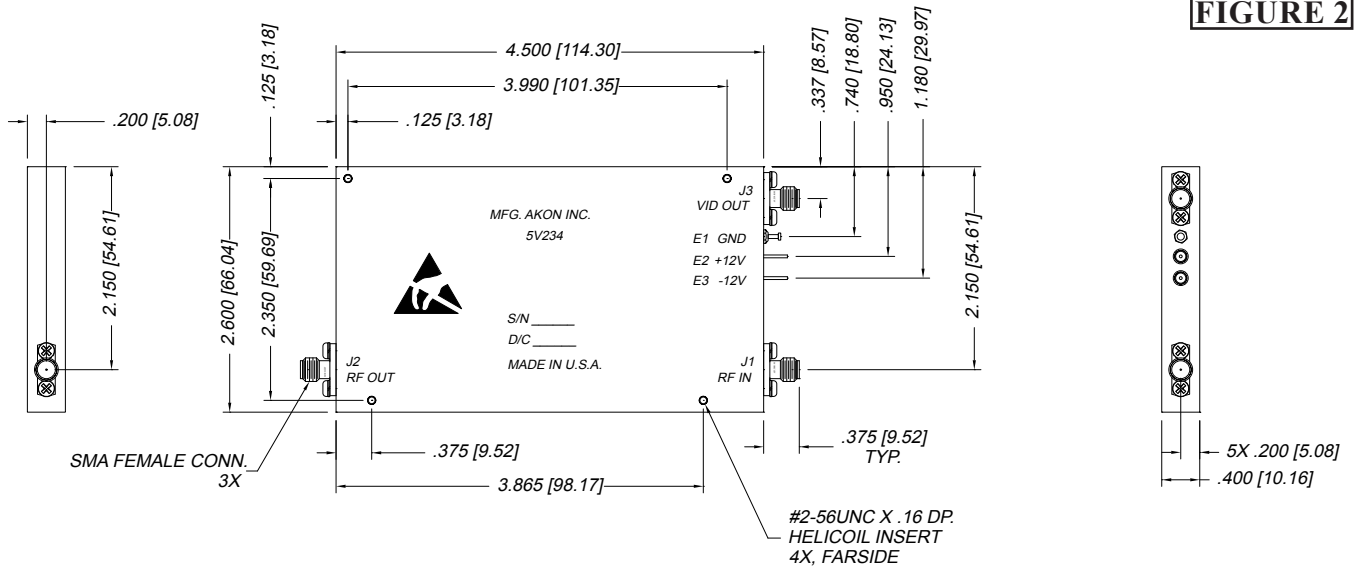


FIGURE 3

