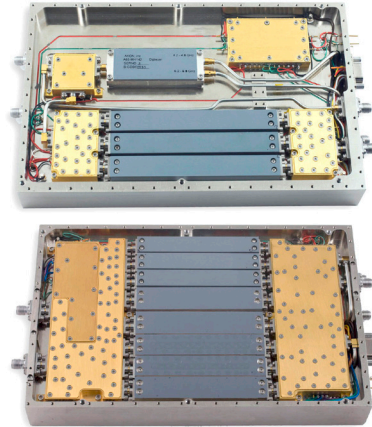


FEATURES:

- TYPE 1 TUNER
- 70 dB DYNAMIC RANGE
- 8 PRECONVERSION CHANNELS
- 50 dB SPURIOUS FREE RANGE
- 5 dB CONVERSION GAIN
- 60 dB CHANNEL TO CHANNEL ISOLATION
- 1 GHz IF OUTPUT
- +/- 25MHz, +/- 125MHz, +/- 250MHz INSTANTANEOUS BW



AKON's A20-MH260 is a 0.8 to 20.0 GHz microwave tuner of the classical type. It features a 60 dB dynamic range expander, an integrated input switch/limiter and launches through the LNA. The unit features an 8-channel filter bank preselector which eliminates received image frequencies. The unit features dual conversion steps to a final IF output frequency of 1 GHz. Output bandwidth is also selectable between 500 and 50 MHz. Conversion gain is 5 dB, Dynamic range extends to -70 dBm, of which the first 50 dB is spurious-free. LO sources are externally applied.

SPECIFICATIONS:

S/N	Model Number			A20-MH260
1.0	Frequency Range (GHz)			1 to 20 (min)
2.0	IF Output (GHz)			1
3.0	IF 1 dB Bandwidth (MHz)			500, 250, 50
4.0	Conversion Gain (dB)			5 (nom)
5.0	Input 1 dB Compression Point (dBm)			-10 (min)
6.0	Input Instantaneous Dynamic Range(dB)			60 (-70 to -10 dBm)
7.0	Input Power for 0 dB SNR in 500 MHz BW(dBm)			-70
8.0	Spurious @ -24 dBm Input (dBc)			-50 (min)
9.0	Number of Pre-select Bands			8
9.1	Bands	Pre-select Tuning Bands (GHz)	Pre-select Filters 1.0 dB BW (GHz)	Overlap
9.1	I.	0.8 - 1.3	0.775 - 1.325	+/- 25 MHz
9.1	II.	1.3 - 2.0	1.275 - 2.025	+/- 25 MHz
9.1	III.	2.0 - 3.5	1.875 - 3.625	+/- 125 MHz
9.1	IV.	3.5 - 5.5	3.375 - 5.625	+/- 125 MHz
9.1	V.	5.5 - 9.0	5.25 - 9.25	+/- 250 MHz
9.1	VI.	9.0 - 12.0	8.75 - 12.25	+/- 250 MHz
9.1	VII.	12.0 - 16.0	11.75 - 16.25	+/- 250 MHz
9.1	VIII.	16.0 - 20.0	15.75 - 20.0	+0/-250 MHz
10.0	Pre-select Band Switching Speed			100 ns (max)
11.0	Window Over Frequency @ 25°C			+/- 2.5 dB (max.)
12.0	Noise Figure (dB)			16 (max.)
13.0	Gain Variation vs. Temperature (dB)			+/- 2.0 (max.)
14.0	Dynamic Range Extender (dB)			10, 20, 30 (selectable)
15.0	LO1 Input(SMA-F Connector)			Variable; (not included)

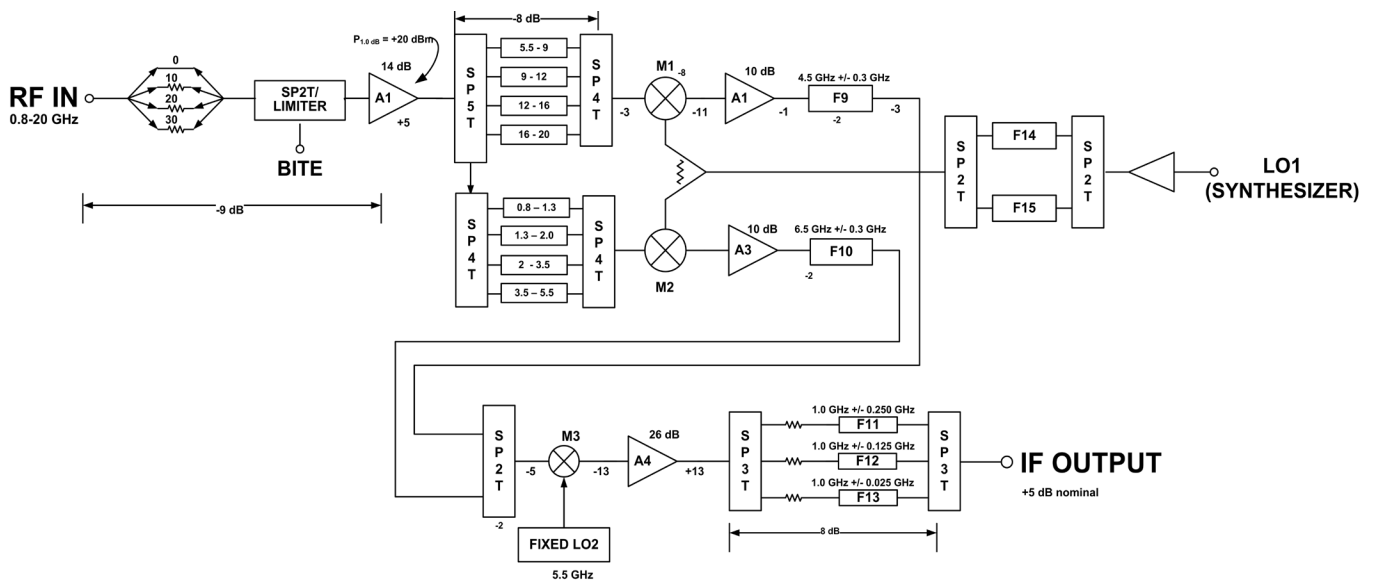
Note: All dimensions are specified in inches (mm)

SPECIFICATIONS CONT'D:

S/N	Model Number	A20-MH260
16.0	LO2 Input(SMA-F Connector)	Fixed; (not included)
17.0	Power Input	+15V(<1.5A), -15V (<-0.4A)
18.0	Operating Temperature (°C)	0 to 50
19.0	Control Signals	TTL
19.0	Dimensions	7.6"×4.9"×1.3" (max.)

Note: All dimensions are specified in inches (mm)

Block Diagram



OUTLINE DRAWING:

