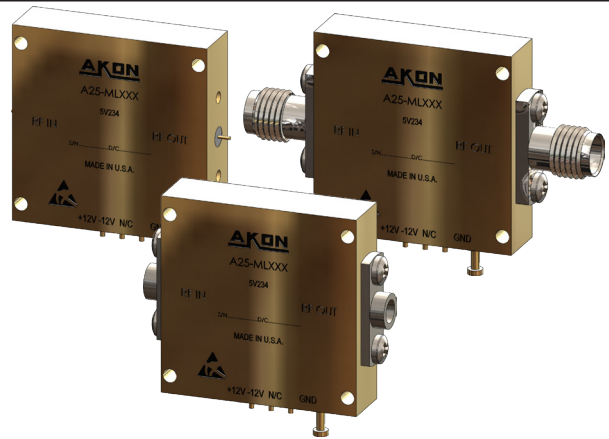


KEY PERFORMANCE FEATURES

- Frequency Range Covering 1 - 40 GHz
- Variety of Gain and Power Available
- Excellent Gain Flatness & Good VSWR
- Compact and Ruggedized Packaging
- Package Options: Drop-in, SMA/2.9mm & SMP



PRODUCT DESCRIPTION

AKON's product line of RF & Microwave Amplifiers operates over a frequency range of 1 - 40 GHz. Amplifiers are available with gain of 15 to 30 dB, output power of +5 to +27 dBm and noise figure of 2.5 - 5 dB. Akon utilizes the latest thin-film microwave hybrid technologies to produce these ruggedized and highly reliable products. Package option includes Drop-In, SMA, 2.9 mm and SMP versions to fit a variety of our customers' demands.

AKON products are designed to withstand the demanding environments of Military, Space and Industrial applications. Our compact and ruggedized products are designed to handle stringent mechanical shock/vibrations, temperature cycling, altitude and temperature extremes.

Reliability is a key feature of AKON products and to ensure this we perform ESS testing on all of our products. AKON offers an off-the-shelf screening option called its "H" series, per Mil-STD-883 level B that is available on all of its RF & Microwave Components. **For custom electrical, mechanical, and screening options, please contact AKON Sales: sales@akoninc.com (or) 408-432-8039.**

SPECIFICATIONS:

Model Number	Frequency (GHz)	Gain (dB)	Flatness (+/- dB)	Noise Figure (dB)	Output Power @ 1dB Comp (dBm)	VSWR	Bias (+ VDC)	3 OIP nominal (dBm)	Pkg.	EAR99/ITAR
1 TO 2 GHz										
A25-ML248	1 - 2	24	1.5	5	23	2.0:1	15	33	D, C, S	EAR99
A25-ML250	1 - 2	30	1	2.5	20	2.0:1	+/-12	30	D, C, S	EAR99
A25-ML251	1 - 2	15	0.8	3.5	13	2.0:1	+/-12	23	D, C, S	EAR99
A25-ML252	1 - 2	24	1	4	17	2.0:1	+/-12	27	D, C, S	EAR99
A25-ML253	1 - 2	15	0.8	4	20	2.0:1	+/-12	30	D, C, S	EAR99
A25-ML254	1 - 2	20	1	4.5	23	2.0:1	+/-12	33	D, C, S	EAR99
A25-ML255	1 - 2	20	1.5	5	27	2.0:1	+/-12	37	D, C, S	EAR99
A25-ML256	1 - 2	25	1.5	5	27	2.0:1	+/-12	37	D, C, S	EAR99
2 TO 6 GHz										
A25-ML261	2 - 6	24	1.5	5	23	2.0:1	15	33	D, C, S	EAR99
A25-ML262	2 - 6	15	1.3	4	13	2.0:1	+/-12	23	D, C, S	EAR99
A25-ML263	2 - 6	15	1.4	4.5	17	2.0:1	+/-12	27	D, C, S	EAR99
A25-ML264	2 - 6	17	1.5	4.5	20	2.0:1	+/-12	30	D, C, S	EAR99
A25-ML265	2 - 6	25	1.5	5	23	2.0:1	+/-12	33	D, C, S	EAR99
A25-ML266	2 - 6	25	1.5	5	27	2.0:1	+/-12	37	D, C, S	EAR99

AKON, Inc. and its affiliates reserve the right to make changes to the product(s) or information contained herein without notice.

All products are measured in 50-ohm system, over a temperature Range of -54° to +85° C.

Note: Packaging Options: D = Drop-In, C = F-SMA, S = SMP (Model Number Example: A25-ML248D)

Note: All dimensions are specified in inches (mm)

SPECIFICATIONS (CON'T):

Model Number	Frequency (GHz)	Gain (dB)	Flatness (+/- dB)	Noise Figure (dB)	Output Power @ 1dB Comp (dBm)	VSWR	Bias (+ VDC)	3 OIP nominal (dBm)	Pkg.	EAR99/ITAR
1 TO 20 GHz										
A25-ML295	6 - 20	24	1.5	5	23	2.0:1	15	33	D, C, S	EAR99
A25-ML296	6 - 20	17	1.2	3	13	2.0:1	15	23	D, C, S	EAR99
A25-ML297	6 - 20	21	1.5	5	21	2.0:1	15	31	D, C, S	EAR99
A25-ML301	6 - 18	24	1.5	5	23	2.0:1	15	33	D, C, S	EAR99
A25-ML281	1 - 18	17	1.2	3	5	2.0:1	15	15	D, C, S	EAR99
A25-ML291	1 - 18	24	1.5	5	21	2.0:1	15	31	D, C, S	EAR99
A25-ML282	2 - 18	15	1.5	4.5	13	2.0:1	+/-12	23	D, C, S	EAR99
A25-ML283	2 - 18	15	1.5	4.5	17	2.0:1	+/-12	27	D, C, S	EAR99
A25-ML284	2 - 18	23	2	5	20	2.0:1	+/-12	30	D, C, S	EAR99
A25-ML285	2 - 18	22	2	5	23	2.0:1	+/-12	33	D, C, S	EAR99
18 TO 40 GHz										
A25-ML320	18 - 40	23	2	5	23	2.0:1	15	33	D, C, S	ITAR
A25-ML310	26 - 40	17	1.5	3	13	2.0:1	15	23	D, C, S	ITAR
A25-ML315	26 - 40	21	2	5	21	2.0:1	15	31	D, C, S	ITAR
A25-ML321	26 - 40	24	1.7	5	23	2.0:1	15	33	D, C, S	ITAR
A25-ML325	26 - 40	30	2	5	21	2.0:1	15	31	D, C, S	ITAR

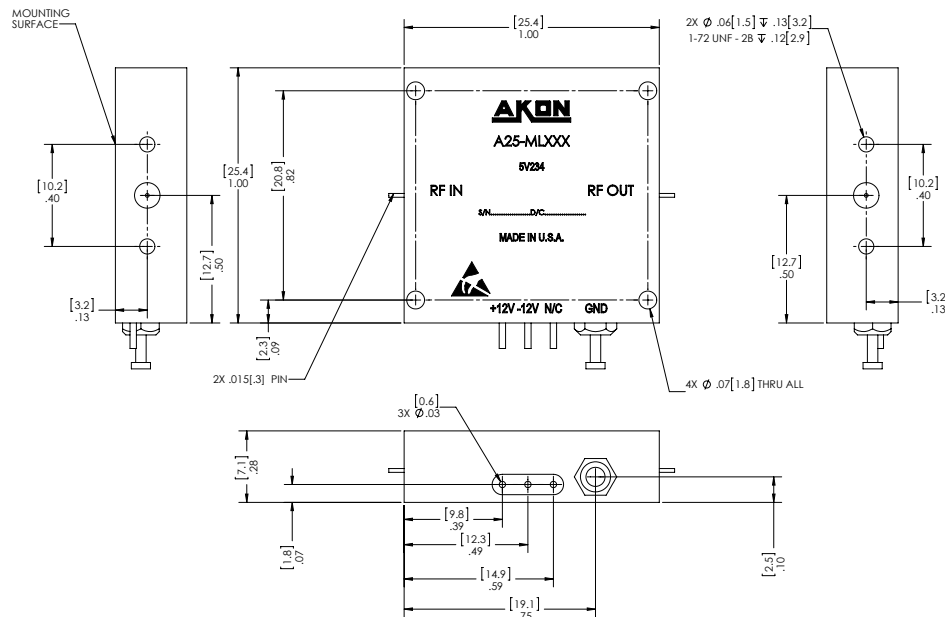
AKON, Inc. and its affiliates reserve the right to make changes to the product(s) or information contained herein without notice. All products are measured in 50-ohm system, over a temperature Range of -54° to +85° C.

Note: Packaging Options: D = Drop-In, C = F-SMA, S = SMP (Model Number Example: A25-ML248D)

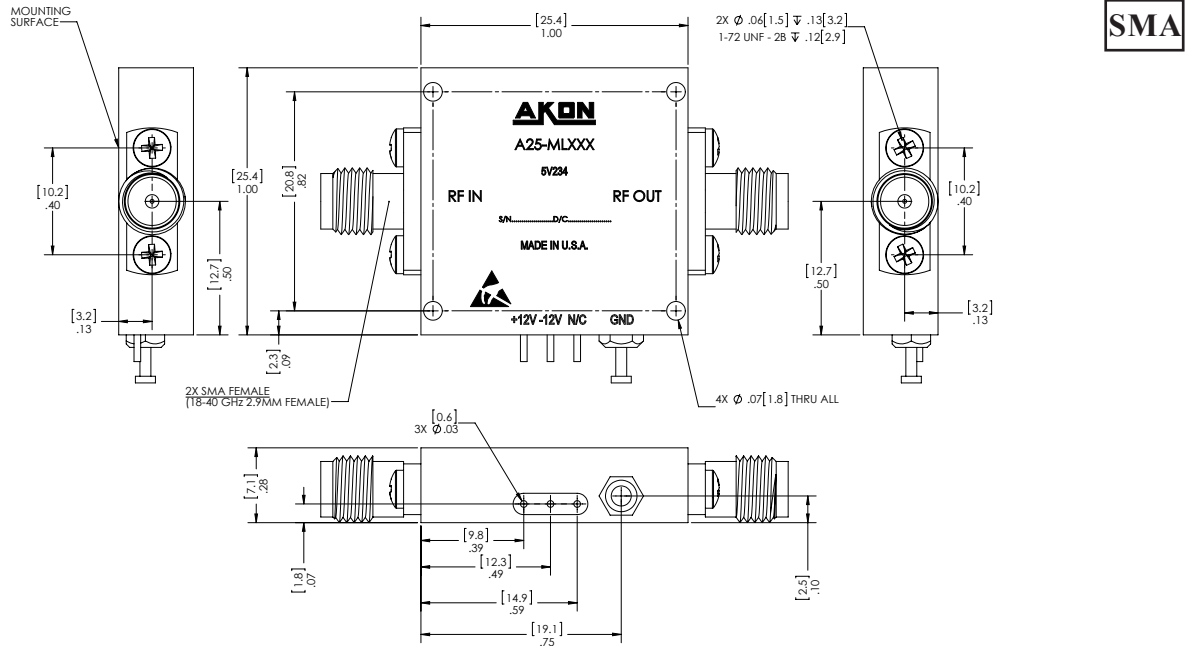
Note: All dimensions are specified in inches (mm)

OUTLINE DRAWING

DROP-IN



OUTLINE DRAWING



OUTLINE DRAWING

