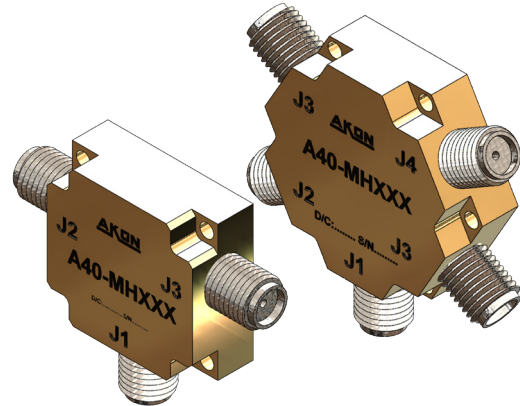


KEY PERFORMANCE FEATURES

- Low Insertion Loss
- Excellent Amplitude and Phase Balance
- Wide Band Frequency Coverage
- Compact and Ruggedized Packaging
- Package Options: 2.9mm



PRODUCT DESCRIPTION

AKON's product line of Wilkinson Microwave Power Dividers/Power Combiners operate over a frequency range of 10 - 40 GHz. AKON utilizes Wilkinson topology on thin film substrates that provide excellent insertion loss, flatness and VSWR. This design construction offers superior amplitude and Phase Balance between output ports.

AKON products are designed to withstand the demanding environments of Military, Space and Industrial applications. Our compact and ruggedized products are designed to handle stringent mechanical shock/vibrations, temperature cycling, altitude and temperature extremes.

Reliability is a key feature of AKON products and to ensure this we perform ESS testing on all of our problems. AKON offers an off-the-shelf screening option called it's "H" series, per Mil-STD-883 level B that is available on all of its RF & Microwave Components. **For custom electrical, mechanical, and screening options, please contact AKON Sales: sales@akoninc.com (or) 408-432-8039.**

SPECIFICATIONS:

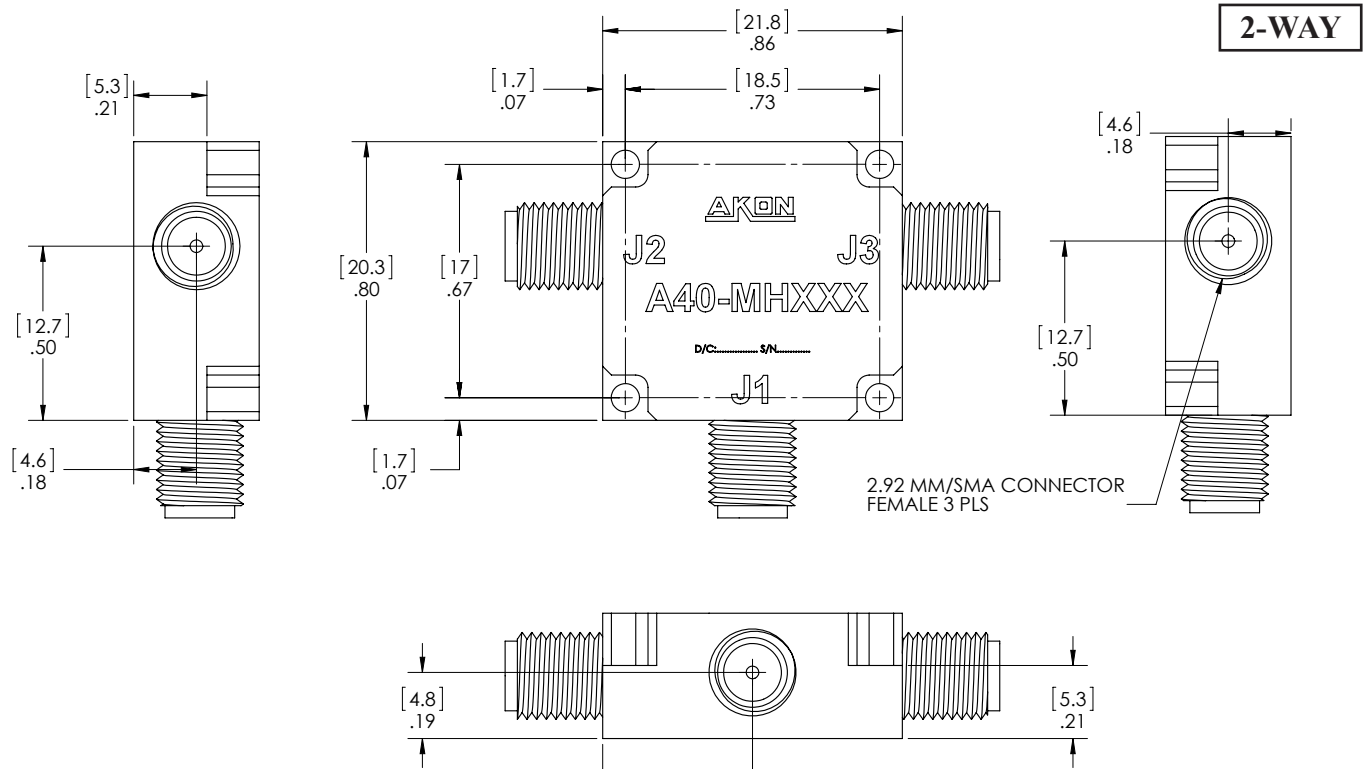
Model Number	Frequency Range (GHz)	Insertion Loss (dB)	Output Isolation P to P (dB)	VSWR (max)	Balance		Max Input Power* (dBm)	Pkg.	EAR99/ITAR
					Amplitude (dB)	Phase (°)			
2-Way									
A40-MH059	10 - 40						30	2.9mm	EAR99
	10 - 20 GHz	0.7	19	1.6:1	0.35	6			
	20 - 26 GHz	1	16	1.75:1	0.55	7			
	16 - 40 GHz	1.8	13	1.95:1	0.85	12			
4-Way									
A40-MH069	10 - 40						30	2.9mm	EAR99
	10 - 20 GHz	0.9	19	1.6:1	0.35	6			
	20 - 26 GHz	1.2	16	1.7:1	0.55	7			
	16 - 40 GHz	1.8	13	2.0:1	0.85	12			

AKON, Inc. and it's affiliates reserve the right to make changes to the product(s) or information contained herein without notice.

All products are measured in 50-ohm system, over a temperature Range of -54° to +85° C.

Note: All dimensions are specified in inches (mm)

OUTLINE DRAWING



OUTLINE DRAWING

